



WORKHOLDING AND AUTOMATION

Precision Sine Table

SAV 245.02

Swivel on longitudinal and transverse axis, with fine pole chuck

Design:

Swivel on the longitudinal and transverse axis. The base plate of the sine table is made of hardened steel (HRC 60), black-finished and precision ground.

High accuracy due to extreme flat type construction.

Standard execution with permanent magnetic chuck. The sine tables are supplied in wooden storage cases with 2 setting tables degrees / minutes in mm.

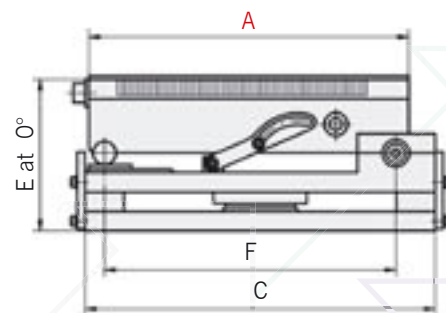
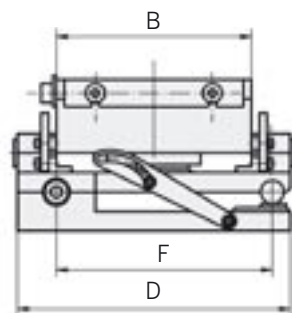
| | |
|--------------------------------|----------------------|
| Angle precision: | ± 5 sec. |
| Planar parallelism: | $\pm 0.005 / 100$ mm |
| Shimming measure at 0°: | 3 mm |
| Angle range longitudinal axis: | 0° to 45° |
| Angle range transversal axis: | 0° to 30° |
| Nominal holding force: | 80 N/cm ² |
| Pole pitch: | 1.9 mm |
| Magnetic field height: | 6 mm |
| Pole plate wearing limit: | 8 mm |



Application:

The angle is set according the sine principle, using an end-gauge.

Fixation is achieved by side mounted pincers and by tightening the upper bearing clamps.



| Dimensions in mm | | | | | | Weight in kg |
|------------------|-----|-----|-----|-----------------|-----------|--------------|
| A | B | C | D | E $\frac{0}{2}$ | F | |
| 175 | 100 | 210 | 140 | 108 | 160 / 115 | 15.0 |
| 255 | 130 | 290 | 170 | 119 | 240 / 145 | 32.0 |
| 300 | 150 | 335 | 190 | 121 | 285 / 160 | 43.5 |
| 350 | 150 | 385 | 190 | 121 | 335 / 160 | 49.5 |
| 400 | 200 | 435 | 240 | 117 | 385 / 210 | 73.0 |

Execution with flushing holes available against price adder.

Other dimensions and executions – also with electro magnetic or other magnetic system – and all sizes of permanent magnetic chucks SAV 243.01 are available as sine table.

Ordering example: Precision Sine Table SAV 245.02 - 400
 Ordering key: Name SAV - No. - A